

STAINLESS STEEL WORKTABLES TCF-SERIES— FLAT TOP WORKTABLE W/ UNDERSHELF & CASTERS

PROJECT#: _____

ITEM# _____

MODEL# _____

SPECIFICATIONS:

ECONOMY— ETCF-Series: 400 Series Stainless Top & 400 Series Stainless Undershelf

TOP: 16 GA.
400 Series Stainless

SHELF: 18 GA.
400 Series Stainless

LEGS: 1 5/8" Diameter
Tubular Stainless Steel

REINFORCING: Formed Channel Fastened to
Top. Legs Welded to Channel

STANDARD— STCF-Series: 300 Series Stainless Top & 300 Series Stainless Undershelf

TOP: 16 GA.
300 Series Stainless

SHELF: 18 GA.
300 Series Stainless

LEGS: 1 5/8" Diameter
Tubular Stainless Steel

REINFORCING: Formed Channel Fastened to
Top. Legs Welded to Channel

HEAVY DUTY— HTCF-Series: 300 Series Stainless Top & 300 Series Stainless Undershelf

TOP: 14 GA.
300 Series Stainless

SHELF: 16 GA.
300 Series Stainless

LEGS: 1 5/8" Diameter
Tubular Stainless Steel

REINFORCING: Formed Channel Fastened to
Top. Legs Welded to Channel

CONSTRUCTION:

- ◆ All Table Connection Points Fully Welded for Maximum Rigidity and Long Life
- ◆ Sound Deadening Between Top and Reinforcing Channel
- ◆ S/S Undershelf Welded to Legs
- ◆ Table is Polished to #3 Finish
- ◆ Working Height 36"
- ◆ Casters Rated at 250 Lbs each.

ECONOMY - ETCF - SERIES						
24" WIDE	QTY	30" WIDE	QTY	36" WIDE	QTY	LENGTH (INCHES)
ETCF-2424		ETCF-3024		ETCF-3624		24
ETCF-2430		ETCF-3030		ETCF-3630		30
ETCF-2436		ETCF-3036		ETCF-3636		36
ETCF-2442		ETCF-3042		ETCF-3642		42
ETCF-2448		ETCF-3048		ETCF-3648		48
ETCF-2454		ETCF-3054		ETCF-3654		54
ETCF-2460		ETCF-3060		ETCF-3660		60
ETCF-2466		ETCF-3066		ETCF-3666		66
ETCF-2472		ETCF-3072		ETCF-3672		72
ETCF-2478		ETCF-3078		ETCF-3678		78
ETCF-2484		ETCF-3084		ETCF-3684		84
ETCF-2490		ETCF-3090		ETCF-3690		90
ETCF-2496		ETCF-3096		ETCF-3696		96
ETCF-24102		ETCF-30102		ETCF-36102		102
ETCF-24108		ETCF-30108		ETCF-36108		108
ETCF-24114		ETCF-30114		ETCF-36114		114
ETCF-24120		ETCF-30120		ETCF-36120		120

STANDARD - STCF - SERIES						
24" WIDE	QTY	30" WIDE	QTY	36" WIDE	QTY	LENGTH (INCHES)
STCF-2424		STCF-3024		STCF-3624		24
STCF-2430		STCF-3030		STCF-3630		30
STCF-2436		STCF-3036		STCF-3636		36
STCF-2442		STCF-3042		STCF-3642		42
STCF-2448		STCF-3048		STCF-3648		48
STCF-2454		STCF-3054		STCF-3654		54
STCF-2460		STCF-3060		STCF-3660		60
STCF-2466		STCF-3066		STCF-3666		66
STCF-2472		STCF-3072		STCF-3672		72
STCF-2478		STCF-3078		STCF-3678		78
STCF-2484		STCF-3084		STCF-3684		84
STCF-2490		STCF-3090		STCF-3690		90
STCF-2496		STCF-3096		STCF-3696		96
STCF-24102		STCF-30102		STCF-36102		102
STCF-24108		STCF-30108		STCF-36108		108
STCF-24114		STCF-30114		STCF-36114		114
STCF-24120		STCF-30120		STCF-36120		120

HEAVY DUTY - HTCF - SERIES						
24" WIDE	QTY	30" WIDE	QTY	36" WIDE	QTY	LENGTH (INCHES)
HTCF-2424		HTCF-3024		HTCF-3624		24
HTCF-2430		HTCF-3030		HTCF-3630		30
HTCF-2436		HTCF-3036		HTCF-3636		36
HTCF-2442		HTCF-3042		HTCF-3642		42
HTCF-2448		HTCF-3048		HTCF-3648		48
HTCF-2454		HTCF-3054		HTCF-3654		54
HTCF-2460		HTCF-3060		HTCF-3660		60
HTCF-2466		HTCF-3066		HTCF-3666		66
HTCF-2472		HTCF-3072		HTCF-3672		72
HTCF-2478		HTCF-3078		HTCF-3678		78
HTCF-2484		HTCF-3084		HTCF-3684		84
HTCF-2490		HTCF-3090		HTCF-3690		90
HTCF-2496		HTCF-3096		HTCF-3696		96
HTCF-24102		HTCF-30102		HTCF-36102		102
HTCF-24108		HTCF-30108		HTCF-36108		108
HTCF-24114		HTCF-30114		HTCF-36114		114
HTCF-24120		HTCF-30120		HTCF-36120		120

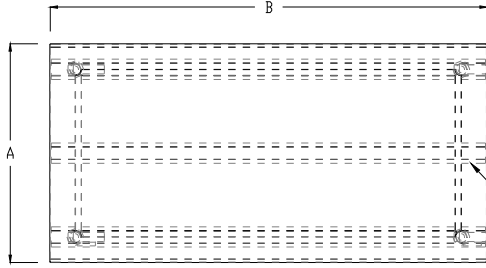


- Amtekco Industries - Columbus, OH —Phone: (800) 336-4677
- N. Wasserstrom & Sons - Columbus, OH —Phone: (800) 444-4697
- DCS IV - Peoria, AZ—Phone: (800) 592-3274)
- GEN III - Fountain Inn, SC—Phone: (800)673-3339
- GKS - Garland, TX—Phone (972) 485-4579

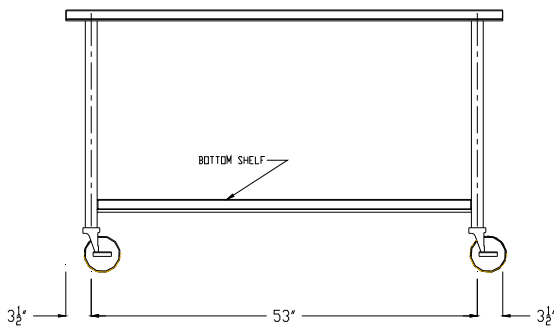
PROJECT#: _____

ITEM# _____

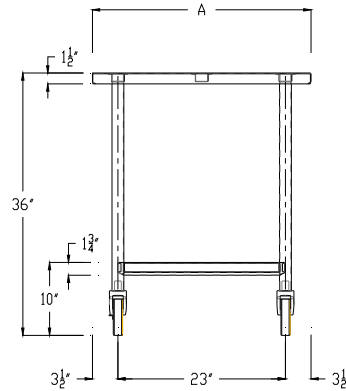
MODEL# _____



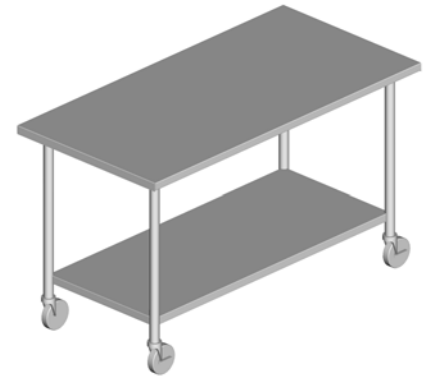
PLAN VIEW



ELEVATION



SIDE VIEW



◆ Tables At or Above 78" Will Require (3) Sets of Legs.

A WIDTH	B LENGTH	ETCF - SERIES 16 GA. 400 SERIES S/S TOP & 18 GA. 400 SERIES S/S UNDERSHELF	STCF - SERIES 16 GA. 300 SERIES S/S TOP & 18 GA. 300 SERIES S/S UNDERSHELF	HTCF - SERIES 14 GA. 300 SERIES S/S TOP & 16 GA. 300 SERIES S/S UNDERSHELF	#Of Legs	Product Weight (lbs)
24" WIDE						
24	24	ETCF-2424	STCF-2424	HTCF-2424	4	42
24	30	ETCF-2430	STCF-2430	HTCF-2430	4	45
24	36	ETCF-2436	STCF-2436	HTCF-2436	4	50
24	48	ETCF-2448	STCF-2448	HTCF-2448	4	61
24	60	ETCF-2460	STCF-2460	HTCF-2460	4	71
24	72	ETCF-2472	STCF-2472	HTCF-2472	4	82
24	84	ETCF-2484	STCF-2484	HTCF-2484	6	94
24	96	ETCF-2496	STCF-2496	HTCF-2496	6	114
24	108	ETCF-24108	STCF-24108	HTCF-24108	6	131
24	120	ETCF-24120	STCF-24120	HTCF-24120	6	148
30" WIDE						
30	24	ETCF-3024	STCF-3024	HTCF-3024	4	45
30	30	ETCF-3030	STCF-3030	HTCF-3030	4	49
30	36	ETCF-3036	STCF-3036	HTCF-3036	4	52
30	48	ETCF-3048	STCF-3048	HTCF-3048	4	68
30	60	ETCF-3060	STCF-3060	HTCF-3060	4	79
30	72	ETCF-3072	STCF-3072	HTCF-3072	4	92
30	84	ETCF-3084	STCF-3084	HTCF-3084	6	105
30	96	ETCF-3096	STCF-3096	HTCF-3096	6	126
30	108	ETCF-30108	STCF-30108	HTCF-30108	6	146
30	120	ETCF-30120	STCF-30120	HTCF-30120	6	165
36" WIDE						
36	24	ETCF-3624	STCF-3624	HTCF-3624	4	47
36	30	ETCF-3630	STCF-3630	HTCF-3630	4	55
36	36	ETCF-3636	STCF-3636	HTCF-3636	4	64
36	48	ETCF-3648	STCF-3648	HTCF-3648	4	75
36	60	ETCF-3660	STCF-3660	HTCF-3660	4	88
36	72	ETCF-3672	STCF-3672	HTCF-3672	4	104
36	84	ETCF-3684	STCF-3684	HTCF-3684	6	120
36	96	ETCF-3696	STCF-3696	HTCF-3696	6	139
36	108	ETCF-36108	STCF-36108	HTCF-36108	6	164
36	120	ETCF-36120	STCF-36120	HTCF-36120	6	188